





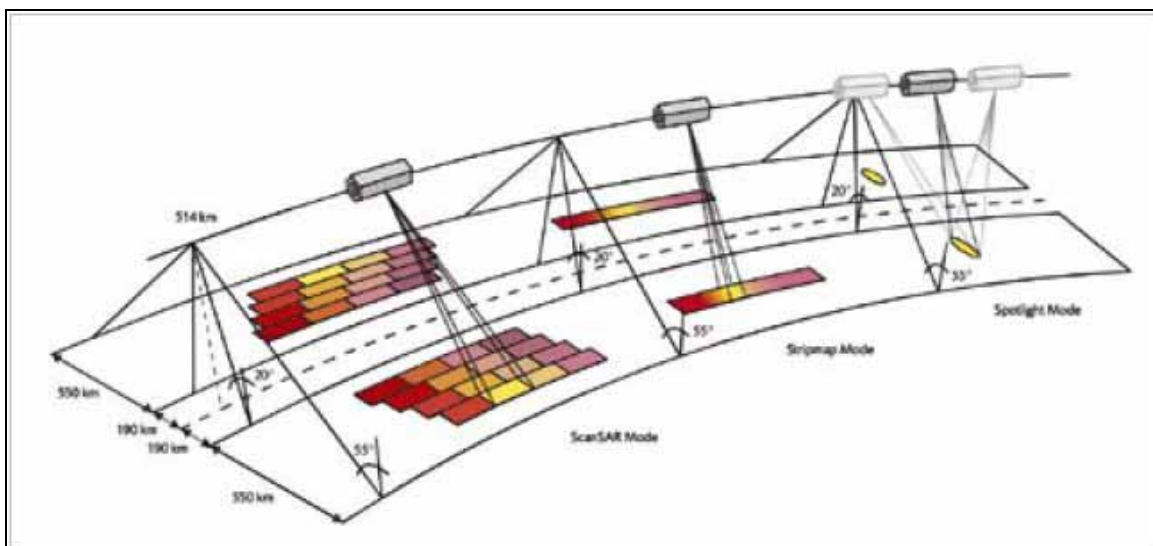


Planetek Italia è distributore ufficiale in Italia dei servizi TerraSAR-X
www.planetek.it

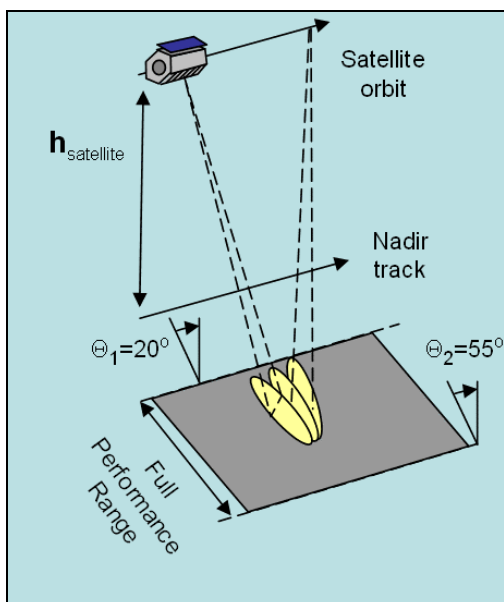
Caratteristiche del satellite

Mode	SpotLight	StripMap	ScanSAR
Scheme of Acquisition			
Resolution	1m	3m	16m
Nominal Scene Size	10 x 5 km ²	30 x 50 km ²	100 x 150 km ²
Max. Strip Length	—	4,200	4,200
Polarisation	single, dual	single, dual, quad	single
Data Format	GeoTiff and NITF		
Image Example (simulated)			
Capabilities	Recognition of objects (transport airplanes, jets, ships, etc.)	Detection of infrastructure (roads, rail & waterways, etc.)	Detection of land cover features (coasts, ships)
	← RECOGNITION		← DETECTION

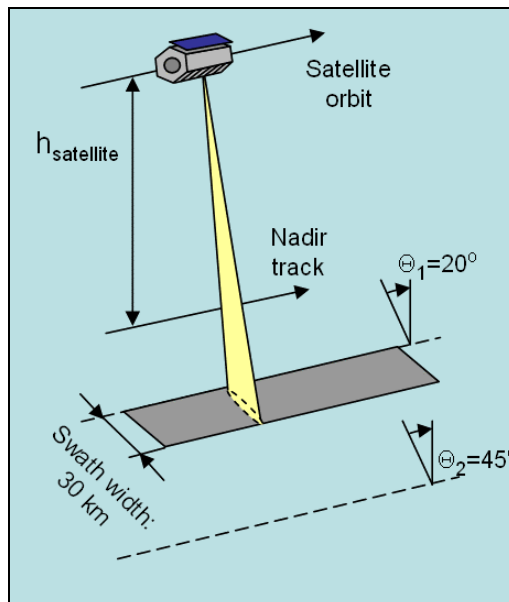
Modalità di acquisizione



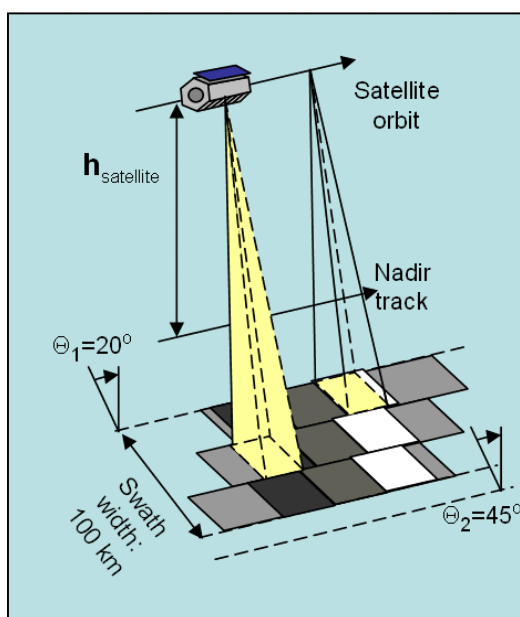
Spotlight



StripMap



ScanSAR



Planetek Italia è distributore ufficiale
in Italia dei servizi TerraSAR-X
www.planetek.it

